

W A R M H O M E
F I R E P L A C E C O L L E C T I O N



2016-2017

W A R M H O M E

FIREPLACE COLLECTION

WELCOME TO THE WARM HOME FIREPLACE COLLECTION

The Warm Home Fireplace Collection presents an extensive range of traditional and contemporary fireplaces, combining supreme craftsmanship, over 20 years of experience, quality materials and elegance in design.

Our desire is to provide you with a superb choice of fireplaces skilfully made with high quality materials, all fitted in your home by reputable retailers so you can enjoy the experience of buying and owning your individual fireplace.

Within this brochure there is a selection of Mantels, Cast Iron Inserts & Fireplaces, Fireplace Suites, Fire Baskets and Stoves. The brochure has been index tabbed to help you find the section that you require and each picture has a full description of the components used.

Whether you would like to burn coal and wood, gas or install an electric fire then there will undoubtedly be something suitable within the pages of this brochure

CONTENTS

MANTELS & ARCHES	4
COMBINATION FIREPLACES	18
FASCIAS	28
TILED INSERTS	30
HE INSERTS	34
FIREBASKETS	38
FIREPLACE SUITES	56
STOVES, CHAMBERS & GLASS HEARTHES	64
GAS & ELECTRIC FIRES	72
TILES	84
ACCESSORIES	85
MANTEL DIMENSIONS	86
CAST IRON DIMENSIONS	88
FIREBASKET DIMENSIONS	89

DUE TO THE NATURE OF THE MATERIALS AND APPLIANCES USED WITHIN THIS BROCHURE ACTUAL FINISHES AND COLOURS MAY VARY SLIGHTLY. FLAMES SHOWN WITHIN THE FIRES MAY ALSO VARY DEPENDING ON GAS TYPE, FUEL QUALITY AND THE PERFORMANCE OF THE FLUE OR CHIMNEY.

CAST IRON FINISHES

All our cast iron products are manufactured to the highest standards in ISO 9001:2008 accredited facilities. The quality and detail shown here is second to none. Not only is the casting quality first class, the finishing processes are carried out by highly trained craftsmen. This helps us to achieve a consistent and unrivalled offering to our valued customers. It is this application of skill and process that creates the high value products shown in **The Warm Home Fireplace Collection** brochure.



BLACK

BLACK is a painted matt black finish. The black finish is the most appropriate for multi fuel applications as polished finishes can tarnish with high temperatures.



HIGHLIGHT

HIGHLIGHT is where certain elements of the casting are polished on a black painted background. **Although suitable for use with multi fuel, highlight finish may tarnish with high temperatures.**



FULL POLISHED

FULL POLISHED is, as the name suggests, where the entire product is polished. **Although suitable for use with multi fuel, full polished finish may tarnish with high temperatures. CHROME FINISHES ARE NOT SUITABLE FOR MULTI FUEL FIRES.**

MANTEL FINISHES



LIMESTONE

All our limestone products are delivered pre-sealed in order to minimise any marks created during fitting. Once

installed your fitter should clean and re-seal your limestone products. Further sealing should not be necessary. The stone mantels pictured are manufactured from 100% natural material. As such the mantel you will purchase will be unique due to the inevitable variations in fossil formation, veining and colour. This is one of the great attractions of 100% pure natural products. Please be aware that small fossils and variations in the limestone are part and parcel of this wonderful natural product.



MARBLE

Marble products may have small amounts of colour-matched filler to give the impression of a continuous surface. The nature

of marble is such that when it is formed in the earth, some small cracks are created too. The marble that is selected for the mantels shown in this brochure has been chosen to provide affordable quality, thus some minor cracks have been permitted. To achieve a perfect piece of marble with no imperfections at all means a huge amount of wastage. This has two principal effects, the product becomes prohibitively expensive and the natural resources are depleted too quickly - a much more harmful approach to the world's environment.



TIMBER

Our timber mantels use quality Solid Pine



MANTEL: COLBY 55 AGEAN LIMESTONE
ARCH: LEAGRAVE *highlight*

FIRE: DECORATIVE GAS FIRE WITH CERAMIC COALS

HEARTH: 54" GRANITE

FIREPLACE SUITABLE FOR GAS, ELECTRIC & MULTIFUEL FIRES



MANTEL: MENTMORE 44 AGEAN LIMESTONE

ARCH: HORLEY *half polished*

FIRE: DECORATIVE GAS FIRE WITH CERAMIC COALS

HEARTH: 48" SLATE

FIREPLACE SUITABLE FOR GAS, ELECTRIC & MULTIFUEL FIRES



MANTEL: LINGWOOD 54 AGEAN LIMESTONE
ARCH: HARLINGTON *black*

FIRE: DECORATIVE GAS FIRE WITH CERAMIC COALS

HEARTH: 54" SLATE

FIREPLACE SUITABLE FOR GAS, ELECTRIC & MULTIFUEL FIRES

MANTELS & ARCHES



MANTEL: ALDBURY 56 AGEAN LIMESTONE

ARCH: FRANKTON *highlight*

FIRE: DECORATIVE GAS FIRE WITH CERAMIC COALS

HEARTH: 54" SLATE

FIREPLACE SUITABLE FOR GAS, ELECTRIC & MULTIFUEL FIRES



MANTEL: NUFFIELD 56 CARRARA MARBLE

ARCH: BARNWELL *highlight*

FIRE: DECORATIVE GAS FIRE WITH CERAMIC COALS

HEARTH: 54" GRANITE

FIREPLACE SUITABLE FOR GAS, ELECTRIC & MULTIFUEL FIRES



MANTEL: WASHINGTON 54 AGEAN LIMESTONE

ARCH: HARLINGTON *black*

FIRE: DECORATIVE GAS FIRE WITH CERAMIC COALS

HEARTH: 54" BEVELLED GRANITE

FIREPLACE SUITABLE FOR GAS, ELECTRIC & MULTIFUEL FIRES



MANTEL: EARLSWOOD 55 AGEAN LIMESTONE
ARCH: HARLINGTON *half polished*

FIRE: DECORATIVE GAS FIRE WITH CERAMIC COALS

HEARTH: 54" HONED GRANITE

FIREPLACE SUITABLE FOR GAS, ELECTRIC & MULTIFUEL FIRES



MANTEL: EARLSWOOD 55 AGEAN LIMESTONE

ARCH: MADISON *highlight*

FIRE: DECORATIVE GAS FIRE WITH CERAMIC COALS

HEARTH: 54" GRANITE

FIREPLACE SUITABLE FOR GAS, ELECTRIC & MULTIFUEL FIRES



MANTEL: WASHINGTON 56 AGEAN LIMESTONE
ARCH: BROUGHTON *highlight*

FIRE: DECORATIVE GAS FIRE WITH CERAMIC LOGS
HEARTH: 54" BEVELLED GRANITE (SPECIAL ORDER)

FIREPLACE SUITABLE FOR GAS, ELECTRIC & MULTIFUEL FIRES



MANTEL: APPLIEDORE 48 AGEAN LIMESTONE

ARCH: CLAYDON *highlight*

FIRE: DECORATIVE GAS FIRE WITH CERAMIC COALS

HEARTH: 54" GRANITE

FIREPLACE SUITABLE FOR GAS, ELECTRIC & MULTIFUEL FIRES



MANTEL: ALEXANDRA 54 AGEAN LIMESTONE

ARCH: FRANKTON *highlight*

FIRE: REAL COAL (SHOWN WITH DEEPER BACK FOR LARGER BURNING AREA)

HEARTH: 56" SLABBED GRANITE FOR MULTI FUEL

FIREPLACE SUITABLE FOR GAS, ELECTRIC & MULTIFUEL FIRES



MANTEL: WASHINGTON 54 AGEAN LIMESTONE

ARCH: WESTONING *highlight*

FIRE: DECORATIVE GAS FIRE WITH CERAMIC COALS

HEARTH: 56" GRANITE

FIREPLACE SUITABLE FOR GAS, ELECTRIC & MULTIFUEL FIRES



MANTEL: ALDBURY 60 AGEAN LIMESTONE
ARCH: WESTONING *black*

FIRE: REAL COAL

HEARTH: 60" SLABBED GRANITE FOR MULTI FUEL

FIREPLACE SUITABLE FOR GAS, ELECTRIC & MULTIFUEL FIRES

COMBINATIONS



GREENOCK *black* (shelf: 36")

FIRE: REAL LOGS

HEARTH: 36" SLABBED GRANITE

FIREPLACE SUITABLE FOR GAS, ELECTRIC & MULTIFUEL FIRES



GREENOCK *highlight* (shelf: 36")

FIRE: DECORATIVE GAS FIRE WITH CERAMIC COALS

HEARTH: 36" GRANITE

FIREPLACE SUITABLE FOR GAS, ELECTRIC & MULTIFUEL FIRES



GREENOCK *full polished (shelf 36")*

FIRE: DECORATIVE GAS FIRE WITH CERAMIC COALS

HEARTH: 36" SLATE

FIREPLACE SUITABLE FOR GAS, ELECTRIC & MULTIFUEL FIRES

COMBINATIONS



SYDENHAM *full polished (shelf: 48")*

FIRE: DECORATIVE GAS FIRE WITH CERAMIC FIREWOOD,

HEARTH: 48" GRANITE

FIREPLACE SUITABLE FOR GAS, ELECTRIC & MULTIFUEL FIRES



SYDENHAM *black* (shelf 48")

FIRE: REAL LOGS (SHOWN WITH DEEPER BACK FOR LARGER BURNING AREA)

HEARTH: 48" SLABBED GRANITE FOR MULTI FUEL

FIREPLACE SUITABLE FOR GAS, ELECTRIC & MULTIFUEL FIRES

COMBINATIONS



OPAL black (shelf: 32")

FIRE: REAL LOGS

HEARTH: 32" BESPOKE SLABBED GRANITE FOR MULTI FUEL
FIREPLACE SUITABLE FOR GAS, ELECTRIC & MULTIFUEL FIRES



OPAL highlight (shelf 32")

FIRE: DECORATIVE GAS FIRE WITH CERAMIC COALS

HEARTH: 32" BESPOKE GRANITE

FIREPLACE SUITABLE FOR GAS, ELECTRIC & MULTIFUEL FIRES



OAKLEY full polished (shelf 36")

FIRE: DECORATIVE GAS FIRE WITH CERAMIC COALS

HEARTH: 36" GRANITE

FIREPLACE SUITABLE FOR GAS, ELECTRIC & MULTIFUEL FIRES



OAKLEY black (shelf 36")

FIRE: REAL LOGS

HEARTH: 36" SLABBED GRANITE FOR MULTI FUEL

FIREPLACE SUITABLE FOR GAS, ELECTRIC & MULTIFUEL FIRES



EDENBRIDGE *full polished (shelf 36")*

FIRE: DECORATIVE GAS FIRE WITH CERAMIC COALS

HEARTH: 36" GRANITE

FIREPLACE SUITABLE FOR GAS, ELECTRIC & MULTIFUEL FIRES



CHEDDINGTON *highlight (shelf 36")*

FIRE: DECORATIVE GAS FIRE WITH CERAMIC COALS

TILES: HONEYSUCKLE GREEN

HEARTH: 36" GRANITE

FIREPLACE SUITABLE FOR GAS, ELECTRIC & MULTIFUEL FIRES

COMBINATIONS



SHILLINGTON *highlight (shelf: 42")*

FIRE: DECORATIVE GAS FIRE WITH CERAMIC PEBBLES

TILES: TULIP BLUE / IVORY

HEARTH: 48" SLATE

FIREPLACE SUITABLE FOR GAS, ELECTRIC & MULTIFUEL FIRES



LANGLEY *black (shelf: 48")*

FIRE: DECORATIVE GAS FIRE WITH CERAMIC PEBBLES,

TILES: WARWICK EMPRESS RED

HEARTH: 48" GRANITE

FIREPLACE SUITABLE FOR GAS, ELECTRIC & MULTIFUEL FIRES



LANGLEY full polished (shelf 48")

FIRE: DECORATIVE GAS FIRE WITH CERAMIC COALS

TILES: VICTORIAN FLOCK BURGUNDY

HEARTH: 48" GRANITE

FIREPLACE SUITABLE FOR GAS, ELECTRIC & MULTIFUEL FIRES

DENFORD FASCIA



FASCIA: DENFORD *highlight*

MANTEL: LINGWOOD 54 AGEAN LIMESTONE

FIRE: OPEN FRONTED CONVECTOR GAS FIRE WITH CAPELLA POLISHED FIREFRAME

HEARTH: 54" GRANITE FROM MULTI FUEL

FIREPLACE SUITABLE FOR GAS, ELECTRIC & MULTIFUEL FIRES



FASCIA: DENFORD *highlight*
MANTEL: ALDBURY 56 AGEAN LIMESTONE

FIRE: HIGH EFFICIENCY GLASS FRONTED GAS CONVECTOR FIRE (SLIDE CONTROL) WITH CERAMIC COALS & BRUSHED STEEL TRIM AND BAUHAUS 16" FRET POLISHED HEARTH: 60" GRANITE

FIREPLACE SUITABLE FOR GAS, ELECTRIC & MULTIFUEL FIRES

TILED INSERTS

Shelf: 54"



MANTEL: WASHINGTON 54 AGEAN LIMESTONE

INSERT: FARRINGDON *black*

FIRE: REAL COAL

TILES: VICTORIAN FLOCK CREAM,

HEARTH: 54" SLABBED GRANITE FOR MULTI FUEL

FIREPLACE SUITABLE FOR GAS, ELECTRIC & MULTIFUEL FIRES



MANTEL: WINGFIELD 48 PINE
INSERT: BURCOTT *black*

FIRE: DECORATIVE GAS FIRE WITH CERAMIC COALS

TILES: VICTORIAN FLOCK BLACK

HEARTH: 48" SLATE

FIREPLACE SUITABLE FOR GAS, ELECTRIC & MULTIFUEL FIRES

TILED INSERTS

Shelf: 53"



MANTEL: ALDBURY 56 AGEAN LIMESTONE

INSERT: HEYBRIDGE *black*

FIRE: REAL COAL

TILES: TULIP YELLOW/IVORY

HEARTH: 54" SLABBED GRANITE FOR MULTI FUEL

FIREPLACE SUITABLE FOR GAS, ELECTRIC & MULTIFUEL FIRES



MANTEL: NUFFIELD 56 CARRARA MARBLE
INSERT: HEYBRIDGE *highlight*

FIRE: DECORATIVE GAS FIRE WITH CERAMIC COALS

TILES: JAZZ BURGUNDY / IVORY

HEARTH: 54" GRANITE

FIREPLACE SUITABLE FOR GAS, ELECTRIC & MULTIFUEL FIRES

HE INSERT

THE **HE** BRAND HAS BEEN DESIGNED TO DELIVER EFFICIENT GAS FIRES WITHIN MORE TRADITIONAL CAST IRON FIREPLACES.

We have sought from the design stage to combine the two critical components, the fires and the cast iron surrounds in unison to deliver an aesthetically pleasing integrated appliance that offers you a choice of gas fire and one of the best fuel efficiencies for any integrated appliance on the market.



FIRE	INPUT	OUT PUT	CHAMBER DEPTH	EFFICIENCY	CERAMICS COAL
FULL DEPTH OPEN FRONTED CONVECTOR	6.9kW	3.5kW	230	55.8%	✓
SLIMLINE OPEN FRONTED CONVECTOR	6.5kW	2.6kW	90	44.0%	✓
FULL DEPTH GLASS FRONTED CONVECTOR	5.0kW	2.9kW	230	64.2%	✓
SLIMLINE GLASS FRONTED CONVECTOR	4.0kW	2.7kW	90	74.0%	✓
BALANCED FLUE *	4.6kW	3.9kW	130	94.0%	✓

NATURAL GAS FIRES ONLY

*MINIMUM WALL DEPTH 230MM / MAX WALL DEPTH 560MM. OPTIONAL EXTENDED FLUE MAX WALL DEPTH 930MM



MANTEL: ALDBURY 56 AGEAN LIMESTONE

INSERT: HE FRANKTON *highlight*

FIRE: HE GLASS FRONTED CONVECTOR

HEARTH: 56" GRANITE

FIREPLACE SUITABLE FOR HIGH EFFICIENCY GAS FIRES



MANTEL: WASHINGTON 54 AGEAN LIMESTONE

INSERT: **HE CLAYDON *highlight***

FIRE: HE BALANCED FLUE

HEARTH: 56" GRANITE

FIREPLACE SUITABLE FOR HIGH EFFICIENCY GAS FIRES



MANTEL: COLBY 55 AGEAN LIMESTONE
INSERT: **HE** HEYBRIDGE *highlight*

FIRE: HE OPEN FRONTED CONVECTOR

TILES: JAZZ YELLOW/IVORY

HEARTH: 54" GRANITE

FIREPLACE SUITABLE FOR HIGH EFFICIENCY GAS FIRES

WARM HOME FIREBASKETS

The Warm Home Fireplace Collection presents an extensive range of traditional and contemporary firebaskets, combining supreme craftsmanship, quality materials and elegance in design.

The following range of firebaskets has been divided into two sections according to style - CONTEMPORARY & TRADITIONAL.

We pride ourselves on the breadth and variety of choice of our products and are confident there is something to suit all tastes and budgets.

Each Firebasket is shown in a fireplace setting, with mantel and hearth details given in the text below each picture. In many cases a chamber lining is used to finish off the look.



CONTEMPORARY FIREBASKETS



BASKET: SMALL TRILLION *chrome finish*

CHAMBER: BESPOKE PORTUGUESE LIMESTONE

FIRE: DECORATIVE GAS FIRE WITH CERAMIC COALS

FIREPLACE SUITABLE FOR GAS & MULTIFUEL FIRES

QUARTZ NO BACK *black* (shown with decorative gas fire & ceramic coals)
FIREPLACE SUITABLE FOR GAS, ELECTRIC & MULTIFUEL FIRES



QUARTZ NO BACK *full polished* (shown with decorative gas fire & ceramic coals)
FIREPLACE SUITABLE FOR GAS, ELECTRIC & MULTIFUEL FIRES



QUARTZ WITH BACK *black* (shown with real logs)
FIREPLACE SUITABLE FOR GAS, ELECTRIC & MULTIFUEL FIRES



CONTEMPORARY FIREBASKETS



BASKET: QUARTZ WITH BACK *full polished*
MANTEL: ALEXANDRA 54 AGEAN LIMESTONE

FIRE: DECORATIVE GAS FIRE WITH CERAMIC FIREWOOD,

BASKET SLIPS: AGEAN LIMESTONE

CHAMBER: NATURAL REEDED FIREBOARD

HEARTH: 54" AGEAN LIMESTONE

BACK HEARTH: AGEAN LIMESTONE

FIREPLACE SUITABLE FOR GAS, ELECTRIC & MULTIFUEL FIRES

CORAL full polished (shown with decorative gas fire & ceramic pebbles)
FIREPLACE SUITABLE FOR GAS, ELECTRIC & MULTIFUEL FIRES



CONTEMPORARY FIREBASKETS



BASKET: CORAL *black*
MANTEL: COLBY 55 AGEAN LIMESTONE

FIRE: REAL LOGS

BASKET SLIPS: GRANITE

CHAMBER: BLACK PAINTED REEDED FIREBOARD

HEARTH: 54" SLABBED GRANITE FOR MULTI FUEL

BACK HEARTH: SLABBED GRANITE FOR MULTI FUEL

FIREPLACE SUITABLE FOR GAS, ELECTRIC & MULTIFUEL FIRES

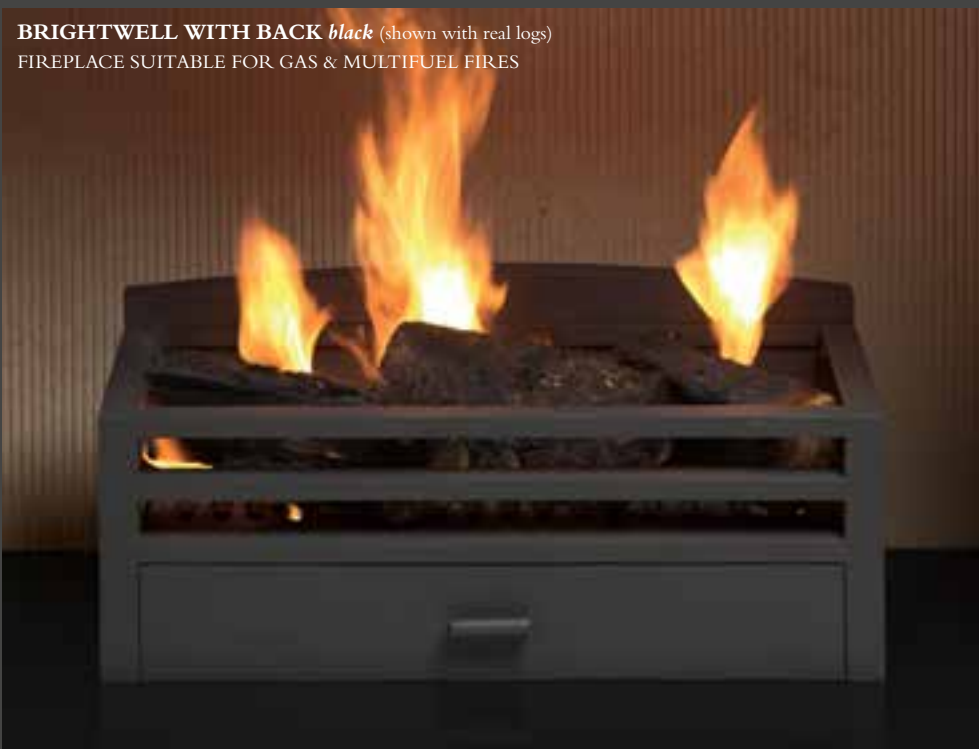
PEARL NO BACK *full polished* (shown with decorative gas fire & ceramic firewood)
FIREPLACE SUITABLE FOR GAS & MULTIFUEL FIRES



PEARL WITH BACK *black* (shown with decorative gas fire & ceramic firewood)
FIREPLACE SUITABLE FOR GAS & MULTIFUEL FIRES



BRIGHTWELL WITH BACK *black* (shown with real logs)
FIREPLACE SUITABLE FOR GAS & MULTIFUEL FIRES



CONTEMPORARY FIREBASKETS



BASKET: BRIGHTWELL NO BACK *full polished*
MANTEL: ILLUSTRATION PURPOSE ONLY

FIRE: DECORATIVE GAS FIRE WITH CERAMIC LOGS

CHAMBER & SLIPS: AGEAN LIMESTONE

HEARTH: 54" AGEAN LIMESTONE, BACK HEARTH: AGEAN LIMESTONE

BASKET SUITABLE FOR GAS & MULTIFUEL FIRES

SMALL TOPAZ *black side** (shown with real logs)
BASKET SUITABLE FOR MULTIFUEL FIRES



SMALL TOPAZ *polished side** (shown with real logs)
BASKET SUITABLE FOR MULTIFUEL FIRES



LARGE TOPAZ *black side** (shown with real logs)
BASKET SUITABLE FOR MULTIFUEL FIRES



CONTEMPORARY FIREBASKETS



BASKET: LARGE TOPAZ *polished side**
MANTEL: EARLSWOOD AGEAN LIMESTONE

FIRE: REAL LOGS

BASKET SLIPS: GRANITE

CHAMBER: BLACK PAINTED REEDED FIREBOARD,

HEARTH: 54" SLABBED GRANITE FOR MULTI FUEL

BACK HEARTH: SLABBED GRANITE FOR MULTI FUEL

BASKET SUITABLE FOR MULTIFUEL FIRES

LARGE KIRTON *black side** (shown with decorative gas fire & ceramic coals)
BASKET SUITABLE FOR GAS & MULTIFUEL FIRES



LARGE KIRTON *polished side** (shown with decorative gas fire & ceramic coals)
BASKET SUITABLE FOR GAS & MULTIFUEL FIRES



SMALL KIRTON *black side** (shown with real logs)
BASKET SUITABLE FOR GAS & MULTIFUEL FIRES



CONTEMPORARY FIREBASKETS



BASKET: SMALL KIRTON *polished side**
MANTEL: BELLINGHAM 54 AGEAN LIMESTONE

FIRE: DECORATIVE GAS FIRE WITH CERAMIC COALS

BASKET SLIPS: SLATE

CHAMBER: CAST IRON REEDED PANELS

HEARTH: 54" SLATE, **BACK HEARTH:** SLATE

BASKET SUITABLE FOR GAS & MULTIFUEL FIRES



BASKET: LARIMAR *chrome finish side**
MANTEL: ALDBURY 51" AGEAN LIMESTONE

FIRE: DECORATIVE GAS FIRE WITH HIGH DEFINITION CERAMIC LOGS

BASKET SLIPS: AGEAN LIMESTONE

CHAMBER: NATURAL REEDED FIREBOARD

BASKET SUITABLE FOR GAS FIRES

*LARIMAR BASKETS ARE REVERSIBLE BLACK AND CHROME

CONTEMPORARY FIREBASKETS



BASKET: LIGHTNING *chrome finish*
MANTEL: MENTMORE 44" AGEAN LIMESTONE

FIRE: DECORATIVE GAS FIRE WITH CERAMIC DRIFTWOOD

BASKET SLIPS: SLATE

CHAMBER: BLACK PAINTED REEDED FIREBOARD

HEARTH: 48" SLATE

BACK HEARTH: SLATE

BASKET SUITABLE FOR GAS FIRES

CONTEMPORARY FIREBASKETS



BASKET: MARQUISE *chrome finish*
MANTEL: ALDBURY 56 AGEAN LIMESTONE

FIRE: DECORATIVE GAS FIRE WITH CERAMIC COALS,

BASKET SLIPS: SLATE

CHAMBER: BLACK PAINTED REEDED FIREBOARD

HEARTH: 54" SLATE

BACK HEARTH: SLATE

BASKET SUITABLE FOR GAS FIRES

TRADITIONAL FIREBASKETS

PRINCESS highlight (shown with decorative gas fire & ceramic coal)
BASKET SUITABLE FOR ELECTRIC, GAS & MULTIFUEL FIRES



MAYLAND black (shown with decorative gas fire & ceramic coal)
BASKET SUITABLE FOR GAS & MULTIFUEL FIRES

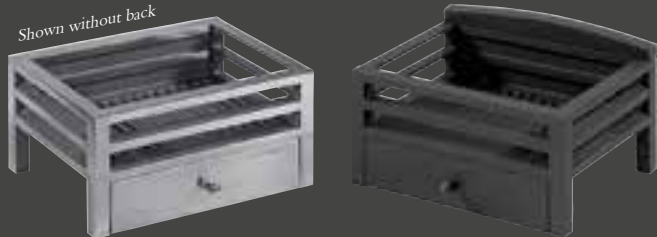


16" SHOTLEY black (shown with coal)
Also available in 18" version (see page 33)
BASKET SUITABLE FOR MULTIFUEL FIRES



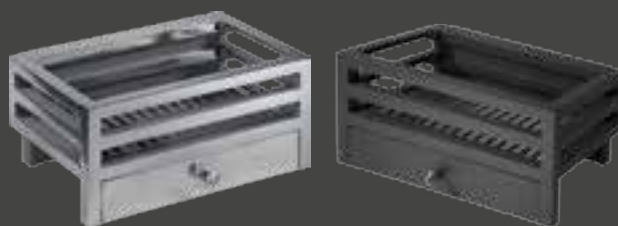
CONTEMPORARY BASKETS - RANGE AT A GLANCE

Shown without back



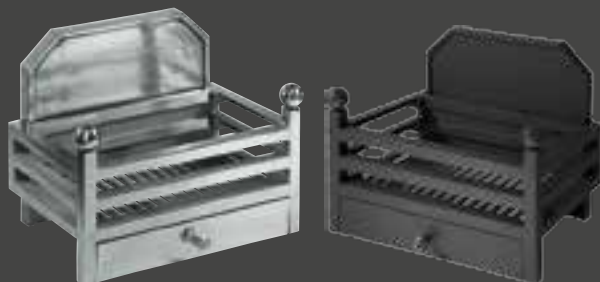
PEARL

FINISHES: POLISHED & BLACK
 NO BACK: 375 (W) x 285 (D) x 190 (H)
 WITH BACK: 375 (W) x 285 (D) x 230 (H)



QUARTZ NO BACK

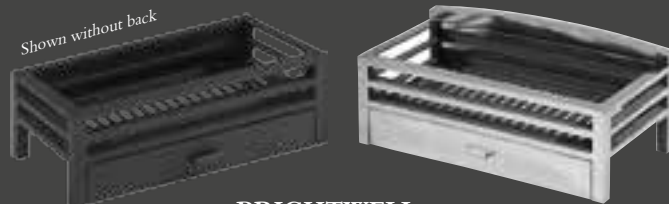
FINISHES: POLISHED & BLACK
 440 (W) x 300 (D) x 220 (H)



QUARTZ WITH BACK

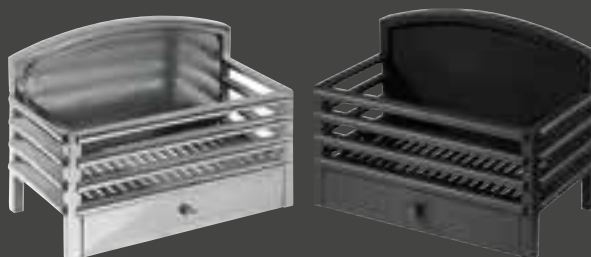
FINISHES: POLISHED & BLACK
 455 (W) x 300 (D) x 385 (H)

Shown without back



BRIGHTWELL

FINISHES: POLISHED & BLACK
 NO BACK: 530 (W) x 260 (D) x 190 (H)
 WITH BACK: 530 (W) x 260 (D) x 235 (H)



CORAL

FINISHES: POLISHED & BLACK
 515 (W) x 300 (D) x 395 (H)



LIGHTNING

FINISH: CHROME
 425 (W) x 285 (D) x 225 (H)



LARIMAR

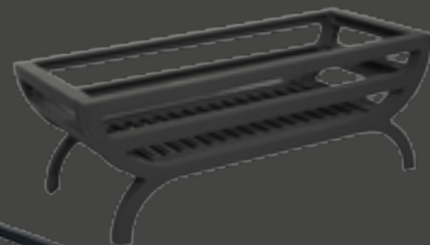
FINISH: CHROME & BLACK (REVERSIBLE)
 455 (W) x 285 (D) x 250 (H)



Shown in gas fire position.

SMALL TRILLION

FINISHES: CHROME
 GAS FIRE POSITION: 610 (W) x 315 (D) x 190 (H)
 SOLID FUEL POSITION: 610 (W) x 315 (D) x 135 (H)



LARGE TOPAZ

FINISH: POLISHED & BLACK (REVERSIBLE)
 550 (W) x 250 (D) x 200 (H)



SMALL TOPAZ

FINISH: POLISHED & BLACK (REVERSIBLE)
 400 (W) x 250 (D) x 200 (H)

TRADITIONAL BASKETS - RANGE AT A GLANCE



16" SHOTLEY
FINISH: BLACK
390 (W) X 280 (D) X 180 (H)



18" SHOTLEY
FINISH: BLACK
455 (W) x 320 (D) x 170 (H)
ALSO AVAILABLE IN 16":
390 (W) X 280 (D) X 180 (H)



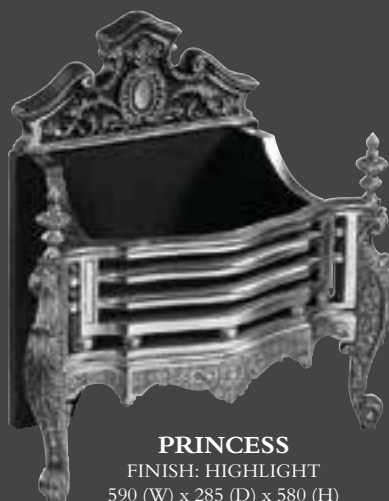
LARGE KIRTON
FINISH: POLISHED & BLACK REVERSIBLE
560 (W) x 280 (D) x 475 (H)



SMALL KIRTON
FINISH: POLISHED & BLACK REVERSIBLE
485 (W) x 305 (D) x 365 (H)



MAYLAND
FINISHES: BLACK WITH BRASS FINIALS
AND KNOB
570 (W) x 280 (D) x 440 (H)



PRINCESS
FINISH: HIGHLIGHT
590 (W) x 285 (D) x 580 (H)



MARQUISE
FINISHES: POLISHED
545 (W) x 245 (D) x 475 (H)

ALL SIZES IN MILLIMETRES
IMAGES ARE NOT TO SCALE

WARM HOME FIREPLACE SUITES

The FIREPLACE SUITES within this brochure represent classic fireplace designs, aimed to complement a variety of interior designs. We hope this wide choice will allow you to select your favourite design.

A suite consists of the mantel, back panel & hearth. We have generally shown the suites with gas and electric fire options, if burning solid fuel is your preference we would suggest using a more durable granite back panel and hearth.

All suites can come in the following options:

3" Rebate - Standard form for fitting Gas fires and for the ability to fit slimline Electric fires against a flat wall without the need for a chimney.

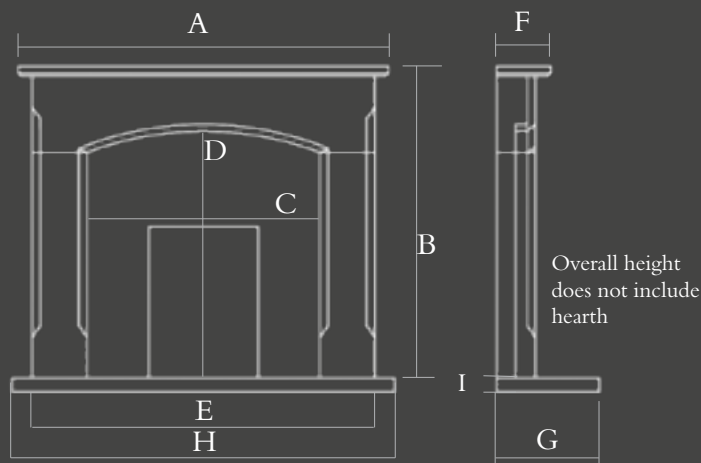
1" Rebate - Offers a more substantial appearance to the mantel body.

Ambient Lights - Using a 1"rebated suite, down lights are subtly positioned to illuminate the inside of the mantel.

SUITE		A	B	C	D	E	F	G	H	I
RAMSEY 48	mm	1220	1040	760	820	1150	180	380	1220	50
WITCHFORD 54	mm	1370	1120	805	865	1270	200	380	1370	50
HADSTOCK 54	mm	1370	1115	865	840	1265	200	380	1370	50
DUXFORD 42	mm	1066	965	690	755	990	160	380	1066	50
DUXFORD 48	mm	1220	1025	760	765	1120	150	380	1220	50
HOLWELL 42	mm	1070	880	650	655	1000	190	380	1070	50
STANFORD 48	mm	1220	1030	720	810	1120	200	380	1220	50
WATERFORD 48	mm	1220	997	700	736	1150	190	380	1220	50

All suites come as standard with a 75mm (3") rebate or 25mm (1") rebate.

Ambient Lights are available on 25mm (1") rebate models.



MADE 2 MEASURE

Change size to suit your home

PORTUGUESE LIMESTONE MADE TO MEASURE SUITES

In order to offer maximum flexibility and the ability to ensure that your fireplace fits your specific room perfectly, The Warm Home Fireplace Collection can offer a made to measure service on all Portuguese Limestone fireplaces from our suites collection. Our network of specially chosen retailers will be happy to discuss and advise on your individual requirements.

AMBIENT LIGHTS

Secluded down lights are available on all of our fireplace suites.

MADE 2 MEASURE

Change size to suit your home



SUITE: RAMSEY 48 *Portuguese Limestone*

FIRE: DECORATIVE OPEN FRONTED GAS FIRE WITH CERAMIC COALS

TRIM: ANTIQUE BRASS FINISH

FRET: 16" BAUHAUS ANTIQUE BRASS FINISH

SUITES

MADE 2 MEASURE

Change size to suit your home



SUITE: WITCHFORD 54 *Portuguese Limestone*

STOVE: CASCADA 5

CHAMBER: COBBLED RED

HEARTH: SLABBED HONED GRANITE

BACK HEARTH: HONED GRANITE



SUITE: HADSTOCK 54 *Portuguese Limestone*

FIRE: OPEN FRONTED GAS CONVECTOR FIRE (SLIDE CONTROL)

FIREFRAME: ABRI CHROME

SUITES

MADE 2 MEASURE

Change size to suit your home



SUITE: DUXFORD 42 Portuguese Limestone
(Available in 42" or 48" wide versions as standard)

FIRE: GLASS FRONTED GAS CONVECTOR (SLIDE CONTROL)

FIREFRAME: CAPELLA CHROME



SUITE: HOLWELL 42 with AMBIENT LIGHTS *Portuguese Limestone*

OPEN FRONTED GAS CONVECTOR (SLIDE CONTROL)

FIREFRAME: FLAIR DARK LUSTER

SUITES

MADE 2 MEASURE

Change size to suit your home



SUITE: STANFORD 48 *Portuguese Limestone*

FIRE: GLASS FRONTED GAS CONVECTOR FIRE (SLIDE CONTROL)

FIREFRAME: ABRI ANTIQUE BRASS FINISH



SUITE: WATERFORD 48 with AMBIENT LIGHTS *Portuguese Limestone*

OPEN FRONTED GAS CONVECTOR (SLIDE CONTROL)

FIREFRAME: MIZAR POLISHED

MULTIFUEL & GAS CAST IRON STOVES

The Cascada stoves are manufactured from steel & cast iron, therefore it is vital that appliances undergo a period of 'burning in', this involves small fires initially, gradually increasing in size with each firing, if this process is adhered to, you should experience years of trouble free, enjoyable use.

Our stoves are CE approved to EN13240 and are suitable for use with wood, coal, coke, peat, anthracite or smokeless fuels.

Please ensure that all ash is removed from your solid fuel stove (once cooled) on a regular basis, it is important that a build up of ash is not allowed to occur as this will affect the life of the consumable parts within the burning chamber.

The Cascada 5 stove can be top or rear flue exit. Stoves, in use, become very hot and therefore, both are supplied with a heat resistant mitten for safety.

An 'air wash' system, which helps to keep the large viewing glass clean during operation and improve efficiency, is standard across the range.

Each stove is supplied with detailed, comprehensive installation & user instructions. It is critical that ALL installations conform to relevant Building Regulations and should be carried out by a qualified Gas Safe Register registered installer when fitting a gas stove, or a HETAS qualified engineer when installing for use with solid fuel. Failure to comply with these requirements may reduce the efficiency & serviceability of your appliance and will invalidate any guarantee. It is essential that prior to any installation, a relevant qualified engineer verifies the proposed site, location and conditions are suitable for the stove selected.





MULTIFUEL STOVES



CASCADA 5

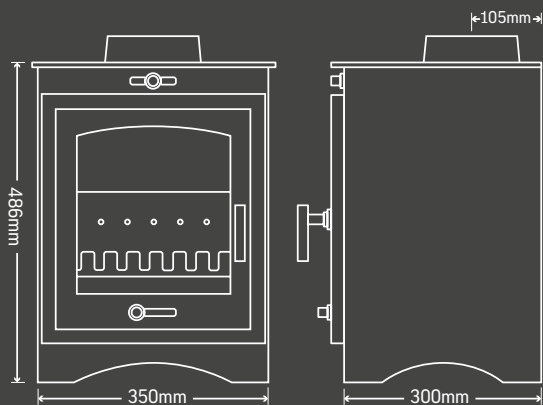
Overview

- » Clean and contemporary design lines
- » DEFRA approved for burning wood in a smoke control area
- » Steel construction for durability and heat retention
- » Ventilation not required
- » Airwash system for cleaner glass
- » Extra large picture window
- » Compact size to suit UK chimneys

Technical Specifications

Model	Cascada 5
Fuel	Multi Fuel
Output	Up to 4.9kW
Efficiency	83%
Flue Exit	Top or Rear exit
Flue Size	125mm
Colour	Graphite

Measurements



CASCADA 5 INSET

Overview

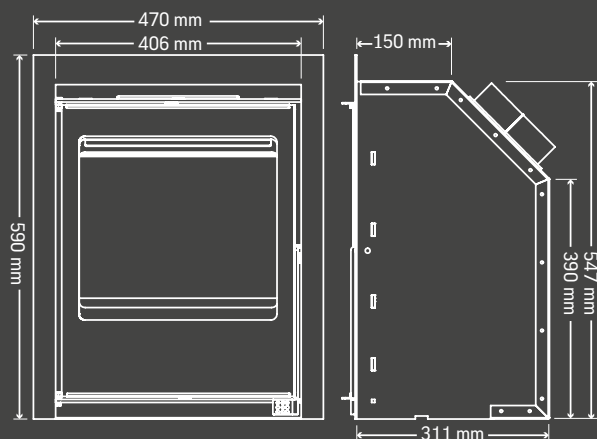
- » Traditional styling and sleek design features
- » DEFRA approved for burning wood or anthracite in a smoke control area
- » Steel construction for durability and heat retention
- » Ventilation not required
- » Airwash system for cleaner glass
- » Steel and glass door with extra large picture window (Aquila)
- » 16 x 22 size, ideal for replacing existing gas fires and for use in small fireplaces
- » Available with optional door lattice kit

Technical Specifications

Model	Cascada 5 Inset
Fuel	Multi Fuel
Output	Up to 4.5kW
Efficiency	81%
Flue Exit	Angled
Flue Size	125mm
Colour	Charcoal
Trim Option	Bevelled 3 Sided, Quadrant 3 Sided



Measurements



Bevelled/Quadrant 3 Sided Trim 592 (H) x 492 (W) x 20 (D)
4 Sided Trim 632 (H) x 494 (W) x 20 (D)



GEOCAST BEAMS



Light Oak Finish



Dark Oak Finish



Ambient Light Option

36" Geocast Beam Width 917 x Height 140 x Depth 105mm

48" Geocast Beam Width 1220 x Height 140 x Depth 105mm

54" Geocast Beam Width 1370 x Height 140 x Depth 105mm

Minimum clearance distance apply. Please refer to instructions on website for detail.



48" DARK OAK BEAM with AMBIENT LIGHTS

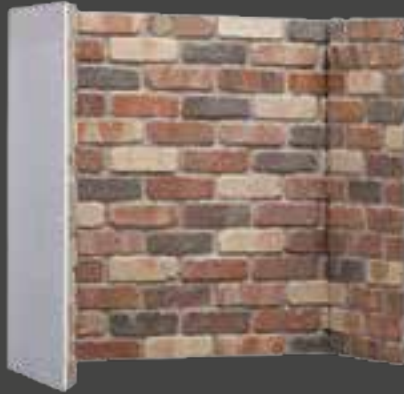
Non combustible Oak Effect Beams without the need for the usual minimal clearance distance to a Stove.

Geocast is a newly developed material composed of natural inorganic minerals. It is non-toxic, unburnable and perdurable (extremely durable), while integrates the high moldability possessed by synthetic materials

CHAMBERS



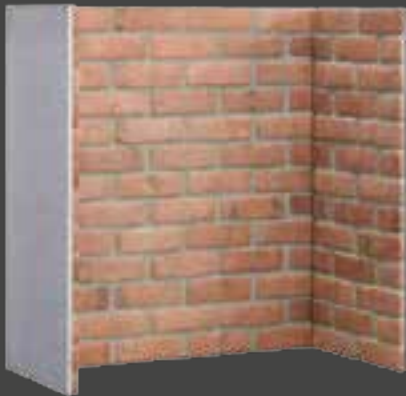
RUSTIC CHAMBER



RAINBOW CHAMBER



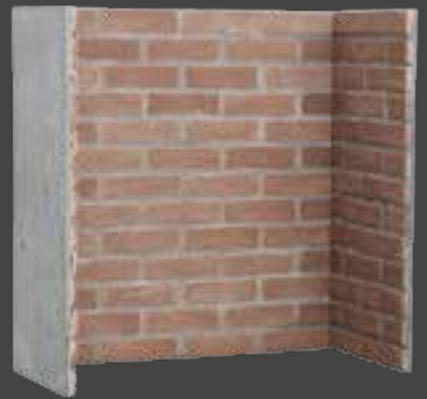
RUSTIC HERRINGBONE CHAMBER



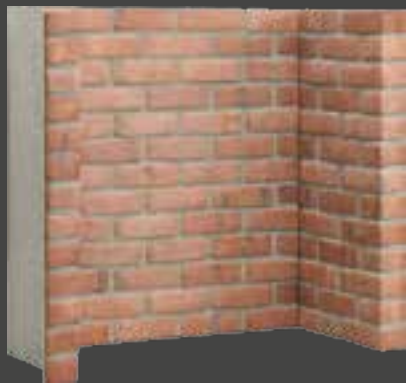
COBBLED RED CHAMBER



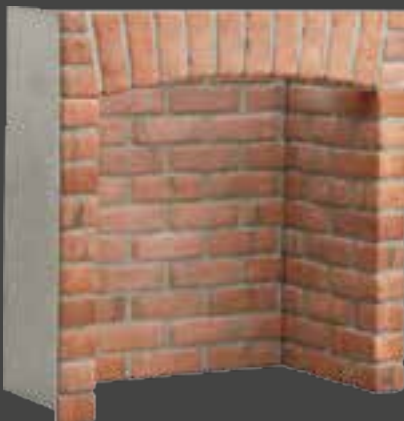
FLEMISH RECLAIM CHAMBER



RED CHAMBER



COBBLED RED 3 PIECE CHAMBER WITH RETURNS



COBBLED RED 4 PIECE CHAMBER WITH RETURNS



RIVEN SLATE CHAMBER

Dimensions: 1 x (1015w x 1000h x 35thick) 2 x (450w x 1000h x 35thick)

Dimensions 4 Piece Chamber: 1 x (777w x 926h x 35thick) 2 x (450w x 926h x 35thick),

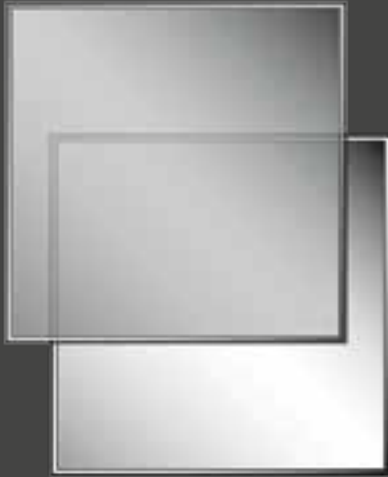
Side Returns 97mm (also on 3 Piece), Arch Height (Opening) Min 770mm

Minimum clearance distance apply. Please refer to instructions on website for detail.

GLASS HEARTHES

Our high quality glass hearths are a contemporary alternative to complement any multi fuel or wood burning stove.

Constructed from 12mm toughened glass our hearths are available in four shapes with an option of smoked or transparent finishes.



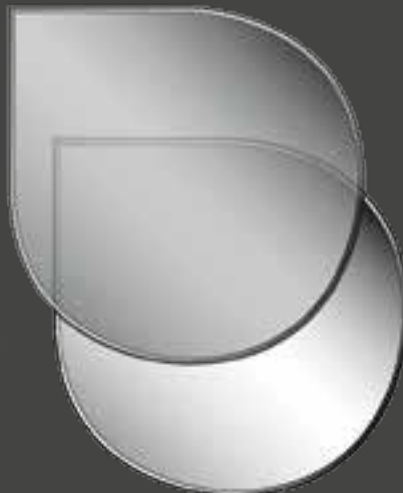
SQUARE - 900x900mm
Smoked or Transparent



SEMI CIRCLE - 1100x850mm
Smoked or Transparent



TRUNCATED - 1100x950mm
Smoked or Transparent



TEAR DROP - 1100x1100mm
Smoked or Transparent



CHOOSING A FIRE THAT'S RIGHT FOR YOUR HOME

A gas or electric fire not only provides comfort and cosy warmth, it can also make a stylish statement in your home.

When searching for a new fire, it's important to understand the type of flue you have will often dictate your choice. Thankfully we have a comprehensive range of designs to choose between for all flue types, and you can browse our complete collection of trims, frets and fireframes in this brochure.

Our classic and contemporary fires can complete the look of a fireplace suite, and they've been developed to deliver efficient heating, beautiful aesthetics and fascinating flame patterns. Depending on the fire, you can also choose between coal and

pebble effect fuel beds, whilst our gas convector fires include slide control as standard, so you can easily adjust the height of the flames.

If you'd like to learn more about our designs or get advice and information relating to your individual requirements, we strongly recommend you visit your local retailer. They can provide advice and information on compatibility, pricing and installation requirements.

To find your local retailer, simply visit:
www.warmhomefireplaces.co.uk

OUR 3 YEAR GAS FIRE GUARANTEE FOR ADDED PEACE OF MIND

Our Decorative Hot Box and Convector Fires are covered by a 3 year guarantee from date of sale.

Terms & Conditions Apply, please visit our web site for further information.



OUR FIRE TYPES



Decorative Open Fronted Gas Fire

With five trim and fret finishes to choose between and a heat output of up to 3.5kW, our Radiant Hotbox fire is a stunning finishing touch to your stone or marble surround. Like all of our fires, an air vent is not usually required, whilst you get a choice of fuel bed; you can stick with the standard coal, or upgrade to pebbles.



Open Fronted Gas Convector Fire

Suitable for class 1 and class 2 flues, our open fronted gas convector fire can add a touch of charm to any fireplace suite, and there are a huge range of fireframes to choose between. It uses modern technology to deliver traditional warmth, whilst slide control offers a quick and easy way to adjust the flame height.



Glass Fronted Gas Convector Fire

Extremely efficient with a classic coal effect fuel bed, these fires take advantage of a glass front, delivering high glow in ceramic fuel beds at very low settings. One of the main advantages with these fires is that they prevent heat from the room being lost up the chimney when switched off.



Lectro Electric Inset Fire

A fine option for homes without chimneys, our electric fires are incredibly efficient, making good use of the heat produced. Even when the heat is switched off, you have the option of a bright flame flickering in the background, and this setting uses the same amount of energy as a standard light bulb.

FLAME PICTURES - GAS vs ELECTRIC

Gas

Electric



It's always important to consider the flame picture before you decide on a suitable fire; after all it's going to be a main focal point in your home for years to come.

Gas - Realistic and convenient, our carefully designed fuel bed will give your home the picturesque glow of a traditional coal fire.

Electric - With the colours and movements of real dancing flames above a bed of realistic coals, our electric flame picture is incredibly convincing.

CONTROL OPTIONS



Manual

Our manual control fires feature a single action 'twist and ignite' control valve. Once the pilot light is established, you simply twist to adjust the flame height.

Slide

Available as standard with our open fronted and glass fronted gas convector fires, slide control allows you to easily adjust the height of the flames. Simply raise or lower the lever for the desired effect.

Remote

Our electric fires are designed to offer convenience, and our remote control option allows you to stay seated and create dancing flames at the click of a button.

Slide Control

DECORATIVE OPEN FRONTED GAS FIRE



TRIM & FRET OPTIONS



Antique Brass finish Trim
& 16'' Bauhaus Fret



Black Trim
& 16'' Bauhaus Fret



Brushed Steel Trim
& 16'' Bauhaus Fret polished



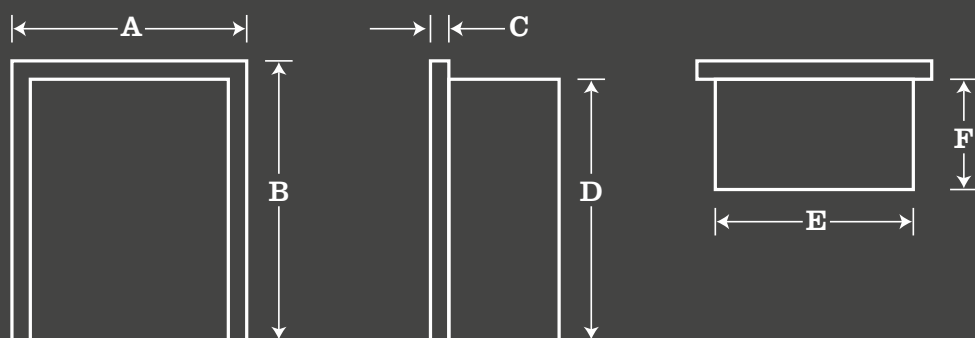
Diamond Black finish Trim
& 16'' Bauhaus Fret



Polished Steel Trim & 16''
Bauhaus Fret chrome

DECORATIVE OPEN FRONTED GAS FIRE

Model	Radiant Hotbox
Suitability	Class I Chimney
Heat Input	6.9kW
Heat Output	Up to 3.5kW
Gas Type	Natural Gas (LPG option available)
Controls	Manual
Air Vent Required	Not normally required
Fuel Bed	Coal standard (Pebbles are available as an optional extra)
Efficiency (net)	Up to 50%



Dimensions

A	510mm
B	610mm
C	10mm
D	555mm
E	405mm
F	245mm

OPEN FRONTED GAS CONVECTOR FIRE

Higher Efficiency Gas Fire

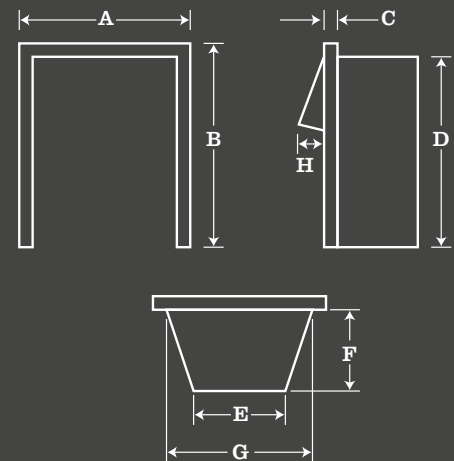


OPEN FRONTED GAS CONVECTOR FIRE



Halo Black Fireframe

OPEN FRONTED GAS CONVECTOR FIRE		
Model	Open Fronted Gas Convector	
Suitability	Class I	Class II
Heat Input	6.9kW	6kW
Heat Output	Up to 4kW	Up to 3.4kW
Gas Type	Natural Gas (LPG option available)	
Controls	Slide	
Air Vent Required	Not normally required	
Fuel Bed	Coal	
Efficiency (net)	Up to 65%	Up to 61%



Class I Dimensions						
	Abri	Capella	Flare	Mizar	Halo	Trim & Fret
A	520mm	520mm	520mm	520mm	602mm	510mm
B	655mm	615mm	635mm	615mm	662mm	610mm
C	80mm	75mm	75mm	75mm	104mm	85mm
D	545mm	545mm	545mm	545mm	545mm	545mm
E	300mm	300mm	300mm	300mm	300mm	300mm
F	235mm	235mm	235mm	235mm	235mm	235mm
G	385mm	385mm	385mm	385mm	385mm	385mm
H	50mm	45mm	40mm	45mm	45mm	50mm

Class II Dimensions					
	Abri	Capella	Flare	Mizar	Trim & Fret
A	520mm	520mm	520mm	520mm	510mm
B	655mm	615mm	635mm	615mm	610mm
C	80mm	75mm	75mm	75mm	85mm
D	545mm	545mm	545mm	545mm	545mm
E	265mm	265mm	265mm	265mm	265mm
F	135mm	135mm	135mm	135mm	135mm
G	330mm	330mm	330mm	330mm	330mm
H	50mm	45mm	40mm	45mm	50mm

GLASS FRONTED GAS CONVECTOR FIRE

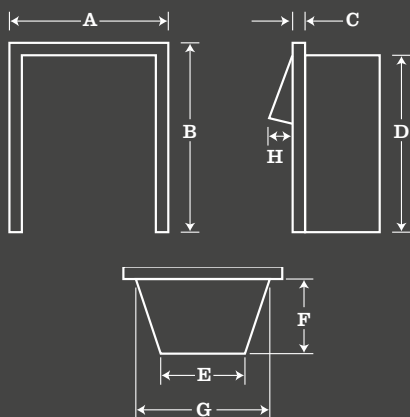




Capella Fireframe Bronze finish

GLASS FRONTED GAS CONVECTOR FIRE

Model	Glass Fronted Gas Convector Fire
Suitability	Class I Flue or Class II Flue
Heat Input	5 kW
Heat Output	Up to 4.4 kW
Gas Type	Natural Gas
Controls	Slide
Air Vent Required	Not normally required
Fuel Bed	Coal Only
Efficiency (net)	Up to 89%



Dimensions

	Abri	Capella	Flare	Mizar	Halo	Trim & Fret
A	520mm	520mm	520mm	520mm	602mm	510mm
B	655mm	615mm	635mm	615mm	662mm	610mm
C	80mm	75mm	75mm	75mm	104mm	85mm
D	545mm	545mm	545mm	545mm	545mm	545mm
E	300mm	300mm	300mm	300mm	300mm	300mm
F	235mm	235mm	235mm	235mm	235mm	235mm
G	385mm	385mm	385mm	385mm	385mm	385mm
H	50mm	45mm	40mm	45mm	45mm	50mm

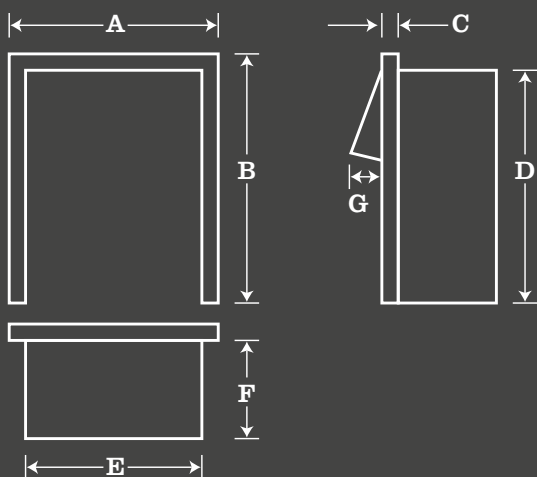
LECTRO ELECTRIC INSET FIRE





Brushed Steel Trim & 16" Bauhaus Fret polished

LECTRO ELECTRIC INSET FIRE	
Model	16" Electric Inset Fire
Suitability	No Chimney required
Heat Output	Variable: effect only, 1kW & 2kW
Fuel Type	Electric
Controls	Manual or Remote
Fuel Bed	Coal or Pebbles (both supplied)
Efficiency (net)	Up to 98% at point of use



Dimensions						
	Abri	Capella	Flare	Mizar	Halo	Trim & Fret
A	520mm	520mm	520mm	520mm	602mm	510mm
B	655mm	615mm	635mm	615mm	662mm	610mm
C	80mm	75mm	75mm	75mm	104mm	10mm
D	565mm	565mm	565mm	565mm	545mm	565mm
E	410mm	410mm	410mm	410mm	300mm	410mm
F	75mm	75mm	75mm	75mm	75mm	75mm
G	60mm	60mm	60mm	60mm	385mm	60mm
H	50mm	45mm	40mm	45mm	45mm	50mm

GAS & ELECTRIC FIRE TRIM, FRET & FIREFRAME OPTIONS



ABRI FIREFRAME
ANTIQUÉ BRASS



ABRI FIREFRAME
BLACK



ABRI FIREFRAME
BRONZE FINISH



ABRI FIREFRAME
DARK LUSTER



CAPELLA FIREFRAME
ANTIQUÉ BRASS



CAPELLA FIREFRAME
BLACK



CAPELLA FIREFRAME
BRONZE FINISH



CAPELLA FIREFRAME
DARK LUSTER



FLARE FIREFRAME
ANTIQUÉ BRASS



FLARE FIREFRAME
BLACK



FLARE FIREFRAME
BRONZE FINISH



FLARE FIREFRAME
DARK LUSTER



MIZAR FIREFRAME
ANTIQUÉ BRASS



MIZAR FIREFRAME
BLACK



MIZAR FIREFRAME
BRONZE FINISH



MIZAR FIREFRAME
DARK LUSTER

TRIM, FRET & FIREFRAME OPTIONS WILL FIT ALL OPEN CONVECTOR FIRES



ABRI FIREFRAME
POLISHED



ANTIQUE BRASS FINISH
TRIM & 16" BAUHAUS FRET



BLACK TRIM & 16"
BAUHAUS FRET



BRUSHED STEEL TRIM & 16"
BAUHAUS FRET POLISHED



CAPELLA FIREFRAME
POLISHED



POLISHED STEEL TRIM & 16"
BAUHAUS FRET CHROME



DIAMOND BLACK FINISH
TRIM & 16" BAUHAUS FRET



FLARE FIREFRAME
POLISHED



MIZAR FIREFRAME
POLISHED



HALO FIREFRAME BLACK
(NOT SUITABLE FOR CLASS II FIRES)

GLASS FRONTED CONVECTOR FIRES & ELECTRIC INSET FIRE

FOR FIREFRAME & TRIM DIMENSIONS SEE PREVIOUS FIRE PAGES

TILES - RANGE AT A GLANCE

TUBE LINE TILES



JAZZ
Burgundy / Ivory*



JAZZ
Yellow / Ivory*

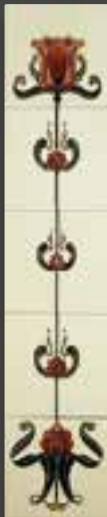


JAZZ
Lilac / Ivory*



SWEEPING ROSE
Yellow / Ivory*

TILES DO NOT COME WITH ANY OF OUR INSERTS AS STANDARD, THEY MUST ALWAYS BE ORDERED SEPARATELY



TULIP
Burgundy / Ivory



TULIP
Blue / Ivory



TULIP
Yellow / Ivory



HASLINGDEN
Burgundy / Ivory



ARGYLL
Red / Ivory*

TRANSFER TILES



HONEYSUCKLE
Green



VICTORIAN FLOCK
Black



VICTORIAN FLOCK
Burgundy



VICTORIAN FLOCK
Cream



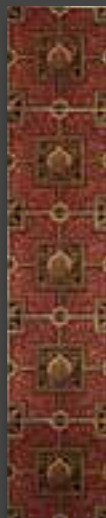
LAVENHAM
Velvet



LAVENHAM
Amethyst



LAVENHAM
Scarlet



WARWICK
Empress Red

ACCESSORIES - RANGE AT A GLANCE

BASKETS



AVON
300H



DERWENT
320H



EDEN
220H



MEDWAY
320H



SEVERN
300H



TAMAR
330H



TRENT
350H

BUCKETS & LOG HOLDERS



ASH BUCKET
340H



DORSET
540H



BARNWELL
410H



KINDLING BUCKET
340H



LOG, KINDLING & MATCH HOLDERS



NORDIC
590H



SALISBURY
220H



WATERLOO
300H

COMPANION SETS



DUCHESS HEARTH TIDY
300L



ELIPSE
540H



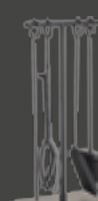
FINESSE
540H



MANOR
558H



ORION LOOP
600H



TEESET
540H



TEMPLE
584H



TRIO
450H



4 FOLD SCREEN
610H x 960W



BOW
750H x 640W



CAMBER
LARGE: 660H x 760W
SMALL: 610H x 660W



CLASSIC 3 PANEL
610H x 960W



CLASSIC RECTANGULAR SPARK GUARD
610H x 540W



COTSWOLD
710H x 620W



CRUSADE 3-FOLD
584H x 533W



DYNASTY
660H x 431W



NURSERY GUARD
680H x 870-1600W



PREMIER DOME LARGE
710H x 610H



PREMIER DOME SMALL
610H x 510W



PREMIUM RECTANGULAR SPARK GUARD LARGE
710H x 610W



PREMIUM RECTANGULAR SPARK GUARD SMALL
610H x 535W

MANTELS - RANGE AT A GLANCE



MENTMORE 44"
AVAILABLE IN AGEAN LIMESTONE



APPLEDORE 48"
AVAILABLE IN AGEAN LIMESTONE



BELLINGHAM 54"
AVAILABLE IN AGEAN LIMESTONE



LINGWOOD 51" & 54"
AVAILABLE IN AGEAN LIMESTONE



ALEXANDRA 54"
AVAILABLE IN AGEAN LIMESTONE



WASHINGTON 54"
AVAILABLE IN AGEAN LIMESTONE



EARLSWOOD 55"
AVAILABLE IN AGEAN LIMESTONE



COLBY 55"
AVAILABLE IN AGEAN LIMESTONE



NUFFIELD 56"
AVAILABLE IN AGEAN LIMESTONE & CARRARA MARBLE.

NUFFIELD 63"
AVAILABLE IN CARRARA MARBLE

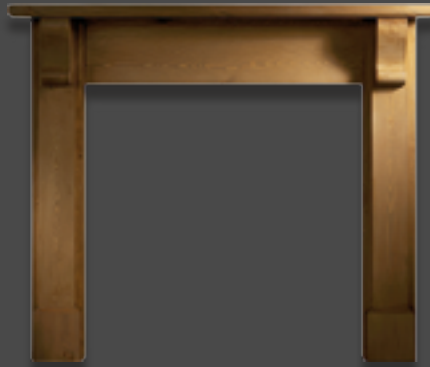


DRAYTON 56"
AVAILABLE IN AGEAN LIMESTONE



ALDBURY 51", 56" & 60"
AVAILABLE IN AGEAN LIMESTONE

ALDBURY 56"
AVAILABLE IN CARRARA MARBLE



WINGFIELD 48" & 54"
AVAILABLE IN PINE

MANTEL SIZES (All sizes in mm)

STONE	A	B	C	D	E	F	G
EARLSWOOD 55"	1405	1235	915	915	1235	215	75
WASHINGTON 54"	1370	1165	910	910	1255	200	75
ALDBURY 51"	1295	1110	865	890	1195	200	75
ALDBURY 56"	1420	1135	915	915	1335	200	75
ALDBURY 60"	1525	1160	965	930	1425	200	75
DRAYTON 56"	1420	1135	915	915	1335	200	75
MENTMORE 44"	1120	1015	815	840	1120	125	25
APPLEDORE 48"	1220	1100	815	890	1145	200	25
NUFFIELD 56"	1420	1135	880	915	1280	260	75
NUFFIELD 63" *	1600	1235	1005	1005	1505	260	75
COLBY 55"	1405	1135	915	915	1235	215	75
ALEXANDRA 54" *	1370	1155	915	915	1260	220	75
LINGWOOD 51"	1295	1085	865	865	1195	200	75
LINGWOOD 54"	1370	1125	865	865	1270	200	75
BELLINGHAM 54"	1370	1155	865	915	1270	200	75

TIMBER	A	B	C	D	E	F	G
PINE WINGFIELD 48"	1220	1180	865	915	1145	215	25 - 75
PINE WINGFIELD 54"	1370	1195	915	915	1270	215	25 - 75

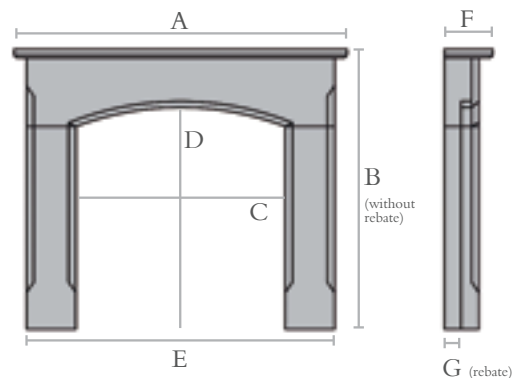
All dimensions are ±12mm.
These mantels have the added benefit that the legs can be moved further apart by up to 50mm if required

Real stone has long been a distinctive material for fireplace mantels. As these are natural products each one will be unique, please visit your local Warm Home retailer to see samples of the real thing. For dimensions please refer to the table above.



AGEAN LIMESTONE CARRARA MARBLE PINE

MANTEL SIZE KEY



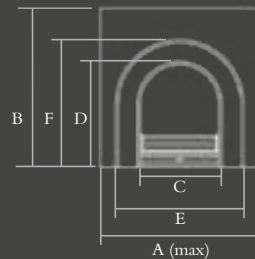
CAST INSERT & FIREPLACES SPECIFICATIONS

INSERT	FINISH			INSERT SIZES (All dimensions in mm)											GAS		PRECAST	BALANCED FLUE	ELECTRIC	
	BLACK	HIGHLIGHT	POLISHED	A	B	C	D	E	F	G	H	CAST BACK AVAILABLE	BACK SIZE			CLASS 1				CLASS 2
													I	J	K					
BARNWELL	✓	✓		940	940	445	660	785	825	65		✓	560	720	165	✓	✓			✓
BROUGHTON		✓		960	960	450	685	800	840	75		✓	620	725	210	✓	✓			
BURCOTT	✓			940	940	340	560	740	860	60		✓	410	600	160	✓	✓			✓
CHEDDINGTON		✓		740	1145	340	570			80	915	✓	630	920	250	✓	✓			✓
CHILTERN		✓		840	1005	445	545				915	✓	560	720	165	✓	✓			✓
CLAYDON*	✓	✓		940	940	445	660	785	825	40		✓	560	720	165	✓	✓			✓
HE CLAYDON		✓		940	940	455	680	800	855	75						✓	✓	✓	✓	
DENFORD		✓		940	940	425	570	790	850	75						✓	✓	✓		✓
EDENBRIDGE	✓	✓		785	990	340	525				915	✓	410	645	150	✓	✓			✓
EMBERTON		✓		1015	1015	590	700	785	870	40		✓	725	750	330	✓	✓			✓
FARRINGDON	✓		✓	940	940	405	560	875	900	75		✓	470	615	200	✓	✓			✓
FRANKTON*		✓		940	940	450	670	800	840	60		✓	560	720	165	✓	✓			✓
HE FRANKTON		✓		940	940	455	680	800	866	75						✓	✓	✓	✓	
GREENOCK*	✓	✓	✓	830	1005	450	660				915	✓	560	720	165	✓	✓			✓
HARLINGTON*	✓	✓	✓	940	940	430	660	835	855	75		✓	560	720	165	✓	✓			✓
HEYBRIDGE	✓	✓		940	940	395	545	845	865	75		✓	470	615	200	✓	✓			✓
HE HEYBRIDGE		✓		960	940	445	490	885	885	75										
HORLEY	✓	✓		930	925	370	670	650	800	75		✓	455	700	160	✓	✓			✓
LANGLEY	✓		✓	1105	1220	415	545				1220	✓	470	615	200	✓	✓			✓
LEAGRAVE*	✓	✓		965	965	430	660	790	835	65		✓	560	720	165	✓	✓			✓
MADISON		✓		940	940	450	545	785	825	40		✓	560	720	165	✓	✓			✓
OAKLEY	✓		✓	785	990	345	595				915	✓	410	600	160	✓	✓			✓
OPAL	✓	✓		660	980	365	660				810	✓	455	700	160	✓	✓			✓
SHILLINGTON	✓	✓		940	1170	405	570			115	1065	✓	660	900	315	✓	✓			✓
SWANLEY		✓		940	940	410	560	850	875	75		✓	470	615	200	✓	✓			✓
SYDENHAM*	✓		✓	1040	1040	445	660				1205	✓	560	720	165	✓	✓			✓
WESTONING	✓	✓		965	965	430	610	890	830	100		✓	550	620	235	✓				✓
DEEP BACK															+55					

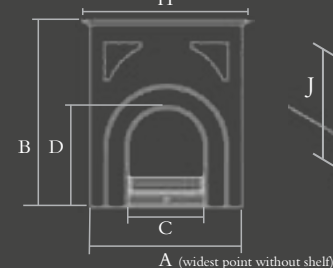
NOTES:

- * Available with deeper back (as optional extra) for larger burning area
- All products (except chrome finish) are suitable for burning solid fuel, however polished and highlighted products may tarnish. Only burn small fires to start with in order to temper the cast iron.
- Before committing to a fireplace, please discuss your particular installation with your retailer who will provide expert advice and carry out a survey.
- All dimensions are provided as a guide only and are subject to a tolerance of $\pm 12\text{mm}$.
- It is normal for tiles to craze over time.
- Most fires have a remote control option, please ask your retailer.

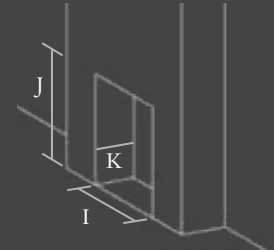
insert



combination



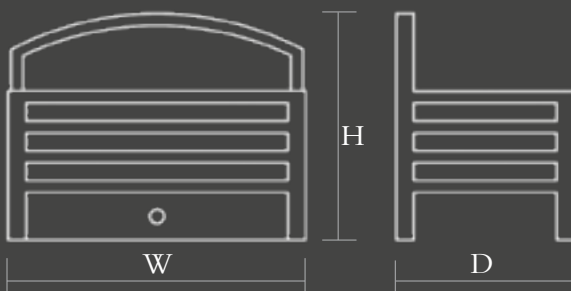
chamber



FIREBASKET SPECIFICATIONS

BASKET	POLISHED	BLACK	CHROME	HIGHLIGHT	SIZES			CLASS 1	CLASS 2	ELECTRIC
					W	D	H			
BRIGHTWELL NO BACK	✓	✓			530mm	260mm	190mm	✓		
BRIGHTWELL WITH BACK	✓	✓			530mm	260mm	235mm	✓		
CORAL	✓	✓			515mm	300mm	395mm	✓		
KIRTON - LARGE	✓	✓			560mm	280mm	475mm	✓		
KIRTON - SMALL *	✓	✓			485mm	305mm	365mm	✓	✓	
LARIMAR*		✓	✓		455mm	285mm	250mm	✓	✓	
LIGHTNING *			✓		425mm	285mm	225mm	✓	✓	
MARQUISE	✓				545mm	245mm	475mm	✓	✓	
MAYLAND		✓			570mm	280mm	440mm	✓		
PEARL NO BACK	✓	✓			375mm	285mm	190mm	✓	✓	
PEARL WITH BACK	✓	✓			375mm	285mm	230mm	✓	✓	
PRINCESS				✓	590mm	285mm	580mm	✓		
QUARTZ NO BACK *	✓	✓			440mm	300mm	220mm	✓	✓	✓
QUARTZ WITH BACK *	✓	✓			455mm	300mm	385mm	✓	✓	✓
SHOTLEY 16"		✓			390mm	280mm	180mm	✓		
SHOTLEY 18"		✓			455mm	320mm	170mm	✓		
TOPAZ - LARGE	✓	✓			550mm	250mm	200mm	✓		
TOPAZ - SMALL	✓	✓			400mm	250mm	200mm	✓		
TRILLION - SMALL (GAS)*			✓		610mm	315mm	190mm	✓	✓	

BASKET SIZES KEY



NOTES

- * High definition log set available for these baskets
- All products (except chrome finish) are suitable for burning solid fuel, however polished and highlighted products may tarnish. Only burn small fires to start with in order to temper the cast iron.
- Before committing to a fireplace, please discuss your particular installation with your retailer who will provide expert advice and carry out a survey.
- All dimensions are provided as a guide only and are subject to a tolerance of ± 12 mm.
- Most fires have a remote control option, please ask your retailer.

AFTER CARE & MAINTENANCE

Understanding your new Warm Home fireplace.



CAST IRON

All the cast iron products are delivered with a protective, oil-based coating on polished surfaces. This should be cleaned off

during installation. It is recommended that a spray-type oil is applied from time to time in order to avoid surface rust appearing. Ensure that the room in which the cast iron product is being installed is thoroughly dry. For example recently plastered walls cause high levels of moisture in the atmosphere and, as a result, rust is likely to occur.

Under no circumstances should a water-based cleaner or polish be used to clean cast iron products.

When using ceramic fuel, ensure that these do not touch any of the polished surfaces as this will help to minimise the possibility of thermal discolouration.

High temperature paint is used on the black and graphite products where fires will burn. This paint will eventually burn off. A proprietary, high temperature paint can be used to recoat your fireplace. Such paint is available from your retailer.

There are some very high temperature burning fuels which can cause damage to any fireplace.

Please refer to the Solid Fuel Association (www.solidfuel.co.uk) recommendations and use an approved coal merchant as your supplier. No responsibility can be accepted if high temperature fuels have been used or if there is excessive draft. If in doubt we recommend the use of a clay fire back. It's your responsibility to burn smoke free fuels if you live in a smoke free zone.

Clean ash away regularly as a build up beneath the fire will cause the grate to burn out quickly. The grate is a consumable part of your fire and will need replacement from time to time, depending on the frequency and burning temperature of your fires.



GAS FIRES

A gas fire is a technical piece of equipment and, just like a gas boiler needs regular servicing. Please ensure that you have your

gas fire serviced regularly by a Gas Safe Register (Board Gais in ROI) registered installer.

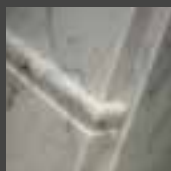


LIMESTONE

All our limestone products are delivered pre-sealed in order to minimise any marks created during fitting. Once installed

your fitter should clean and re-seal your limestone products. Further sealing should not be necessary.

The stone mantels pictured are manufactured from 100% natural material. As such the mantel you will purchase will be unique due to the inevitable variations in fossil formation, veining and colour. This is one of the great attractions of 100% pure natural products. Please be aware that small fossils and variations in the limestone are part and parcel of this wonderful natural product.



MARBLE

Marble products may have small amounts of colour-matched filler to give the impression of a continuous surface. The nature of marble is

such that when it is formed in the earth, some small cracks are created too. The marble that is selected for the mantels shown in this brochure has been chosen to provide affordable quality, thus some minor cracks have been permitted. To achieve a perfect piece of marble with no imperfections at all means a huge amount of wastage. This has two principal effects, the product becomes prohibitively expensive and the natural resources

are depleted too quickly – a much more harmful approach to the world's environment.

General information

- i. The colours shown in the brochures are as accurate as possible, but if the colour you require is critical then please consult your retailer before basing all your decisions on the colours shown here.
- ii. Please also note that shading and crazing are characteristics of the glazed tiles used in tiled inserts and tiled hearths.
- iii. There are occasions when designs, or products are altered or discontinued without prior notice (a reserved right), so if you are about to set your heart on a particular fireplace, please consult your retailer before making that final commitment
- iv. All installations must be carried out in accordance with the requirements set out in the Building Regulation documents, in particular, Approved Document J. There are independent bodies which have been approved to carry out installations in accordance with these regulations.

For gas installations the most recognised independent body is Gas Safe Register (Board Gais in ROI) and for solid fuel installations it is HETAS.

Please confirm with your retailer that your new fireplace will be installed appropriately. If you have your new fireplace fitted by a Gas Safe Register (Board Gais in ROI) or HETAS registered fitter you will be given a certificate stating that your installation has been carried out in accordance with the Building Regulations. If you do not have one of these certificates then you will have to arrange for your local Building Control Officer to inspect your installation and approve it.

PLEASE NOTE

Your Warm Home fireplace is made up of a number of different components and it is important to ensure that your installer has the necessary qualifications and experience to fit ALL the components of a fireplace.

Variations in colour, veining and fossil formation in natural products are not considered defects, however in the unlikely event that there is a defect in any of the products shown in this brochure, then a replacement will be supplied without hesitation. Of course, this requires the products to be fully inspected prior to

installation as no responsibility for re-fitting or redecoration can be accepted if defective products have been installed. In this case and in the case of accidental damage after installation, in-situ repairs can be made by specialists, subject to prior agreement of terms with your retailer.

A FOCUS ON SERVICE FOR YOUR PEACE OF MIND

All cast iron products are manufactured in ISO 9002 accredited manufacturing facilities.

All the gas fires we supply are tested in accordance with CE requirements and are CE marked.

Due to the manufacturing processes all measurements are approximate and may vary slightly so allow for a tolerance of plus or minus 12mm.

In order to achieve some of the colour options, we plate the products using a variety of manufacturing processes. When we state that a product is “Antique Brass finish” or “Chrome finish” there is no intention to mislead. The products are not brass or chrome respectively, they are simply plated to give that effect.

The colours shown in the brochures are as accurate as possible, but if the colour you require is critical then please consult your retailer before basing all your decisions on the colours shown here.

Your home may have a chimney type which will allow you to choose any of the fireplaces shown in the brochures. However, please consult the selection charts in the brochures and if you are not clear please consult your HETAS or GAS SAFE REGISTER (Board Gais in ROI) registered installer or your retailer.

Gas fires with a gas input of 6.9kW or less do not normally require air vents, there are some circumstances where vents may be required. This is determined by your installer carrying out a spillage test during the commissioning process. If your chosen fire has a gas input greater than 6.9kW then a vent will be required. Please ask your retailer for further information.

There are occasions when designs, or products are altered or discontinued without prior notice (a reserved right), so if you are about to set your heart on a particular fireplace, please consult your retailer before making that final commitment.

REASSURANCE BEFORE YOU COMMIT TO THE INSTALLATION OF YOUR WARM HOME FIREPLACE.

It is a major project to have a new fireplace installed and it is good practice to try and prepare yourself as well as possible.

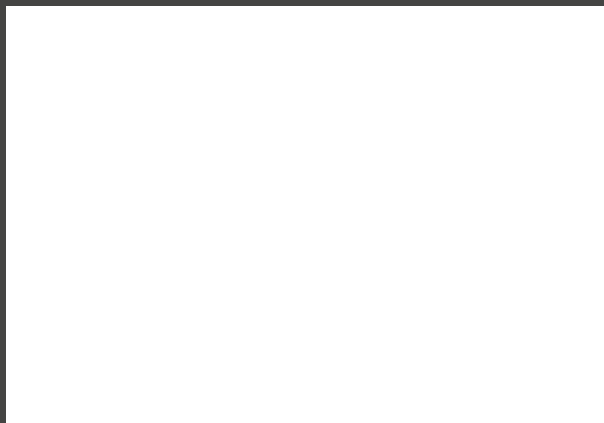
Whilst there appear to be no definitive regulations available, a sufficient gap must be provided around the basket when placed inside the fire chamber. This is essential because air must be able to flow into the fire in order for the fuel to burn effectively; the flue and fire chamber surfaces must be kept cool to avoid heat damage from the fire and where applicable gas controls need to be freely accessible.

Your Warm Home fireplace is made up of a number of different components and it is important to ensure that your installer not only meets the requirements above, but that he also has the necessary experience to fit ALL those components.

In the unlikely event that there is a defect in any of the products shown in this brochure, then a replacement will be supplied without hesitation. Of course, this requires the products to be fully inspected prior to installation as no responsibility for re-fitting or redecoration can be accepted if defective products have been installed. In this case and in the case of accidental damage after installation, in-situ repairs can be made by specialists, subject to prior agreement of terms with your retailer.

W A R M H O M E
FIREPLACE COLLECTION

Original Warm Home Fireplace Collection products are  (anti copying in design) registered, and are therefore protected by UK design right. We will not compromise on quality, neither should you, so in order for you to receive products manufactured to the highest possible standards, insist only on a genuine Warm Home Collection Fireplace



DEALER STAMP



www.warmhomefireplaces.co.uk

This brochure is printed
on FSC accredited
materials from
sustainable sources